

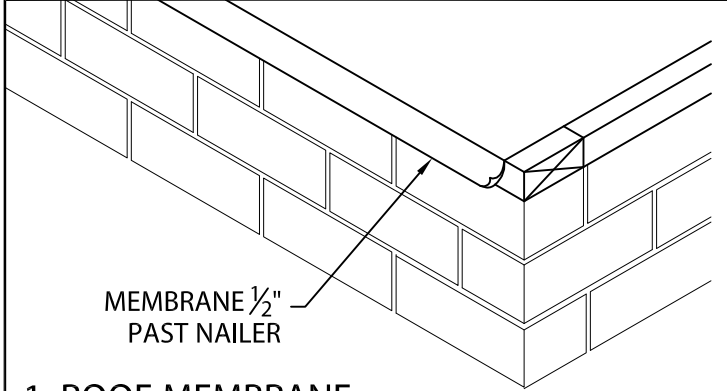


TREMLOCK ECO DRIP EDGE S

TPO OR TPA VERSION WITH CONTINUOUS CLEAT

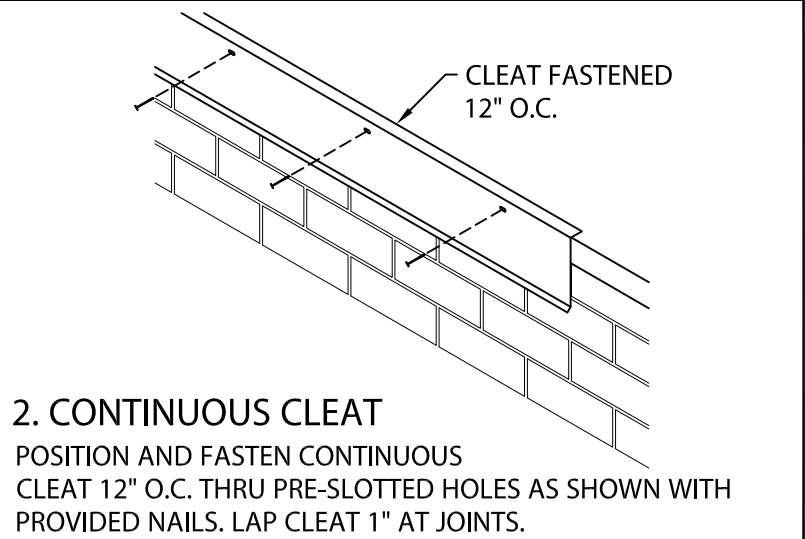
NOTE: INSTALL MITERS FIRST

INSTALLATION INSTRUCTIONS



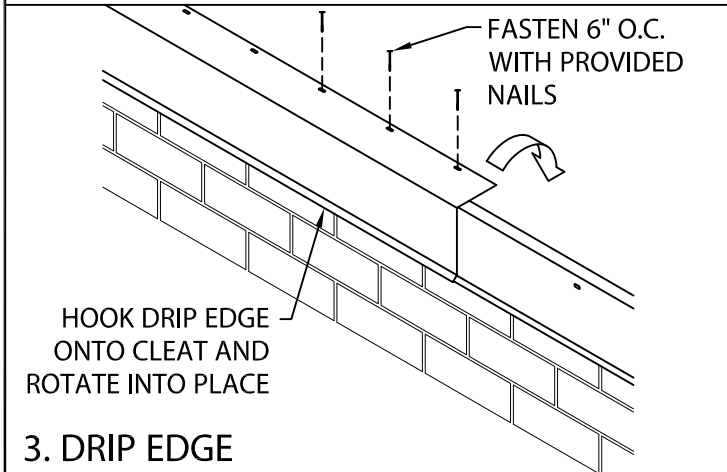
1. ROOF MEMBRANE

POSITION MEMBRANE OVER THE ROOF EDGE AND DOWN OUTSIDE FACE OF WALL, COVERING WOOD NAILER(S) COMPLETELY. ALLOW $\frac{1}{2}$ " EXCESS MEMBRANE.



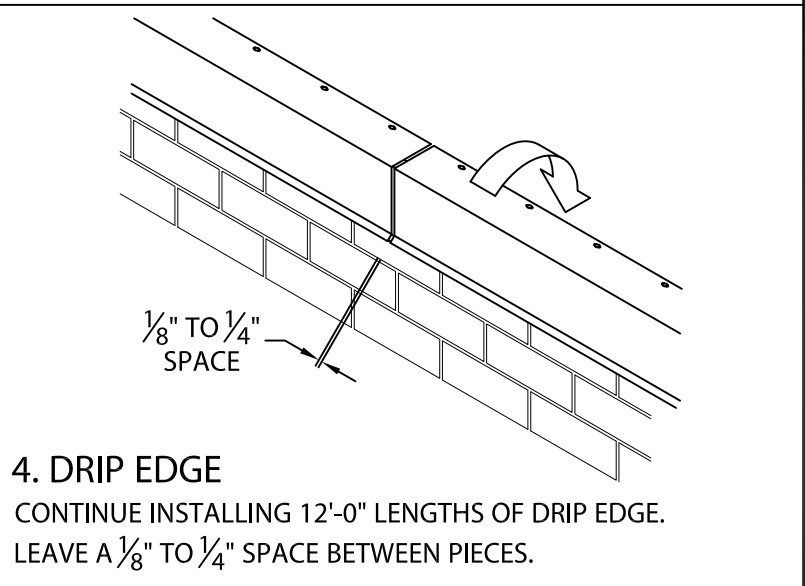
2. CONTINUOUS CLEAT

POSITION AND FASTEN CONTINUOUS CLEAT 12" O.C. THRU PRE-SLOTTED HOLES AS SHOWN WITH PROVIDED NAILS. LAP CLEAT 1" AT JOINTS.



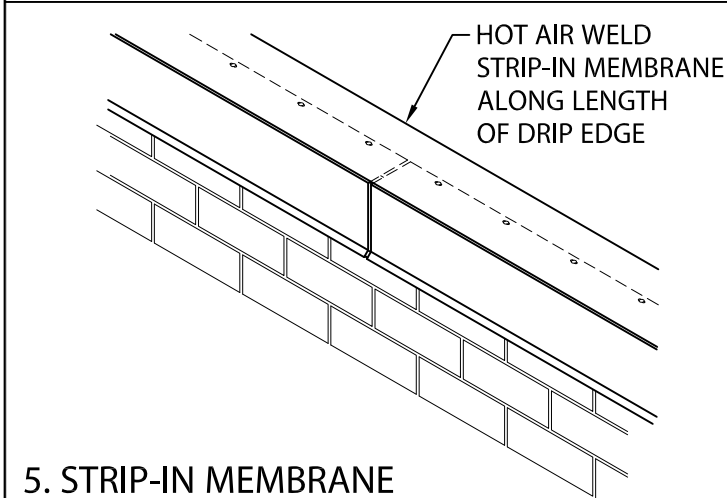
3. DRIP EDGE

HOOK DRIP EDGE OF EACH DRIP EDGE SECTION ONTO CONTINUOUS CLEAT, ROTATE INTO PLACE. FASTEN THRU PRE-SLOTTED HOLES 6" WITH PROVIDED NAILS.



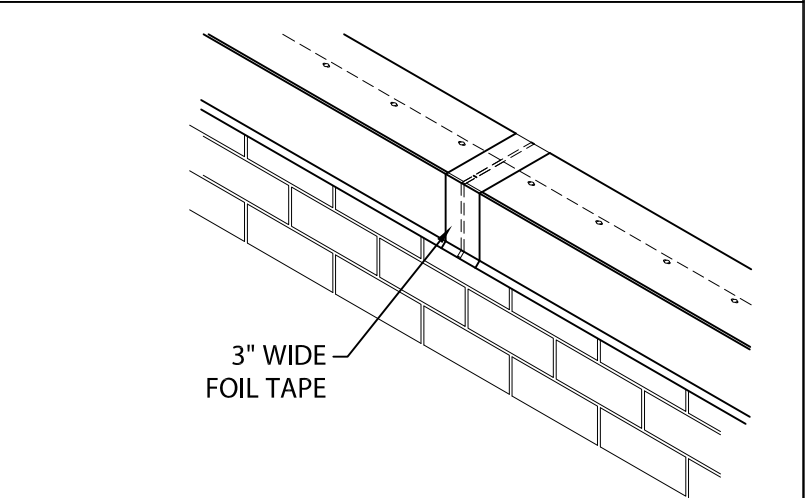
4. DRIP EDGE

CONTINUE INSTALLING 12'-0" LENGTHS OF DRIP EDGE. LEAVE A $\frac{1}{8}$ " TO $\frac{1}{4}$ " SPACE BETWEEN PIECES.



5. STRIP-IN MEMBRANE

HOT AIR WELD STRIP-IN MEMBRANE ALONG ENTIRE LENGTH OF DRIP EDGE PER MANUFACTURERS INSTRUCTIONS.



6. FOIL TAPE AT JOINT

PLACE A 3" WIDE PIECE OF FOIL TAPE OVER JOINT.

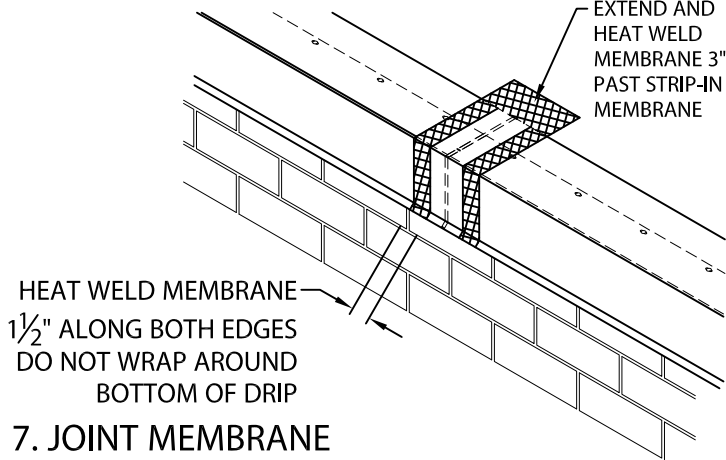


TREMLOCK ECO DRIP EDGE S

TPO OR TPA VERSION WITH CONTINUOUS CLEAT

NOTE: INSTALL MITERS FIRST

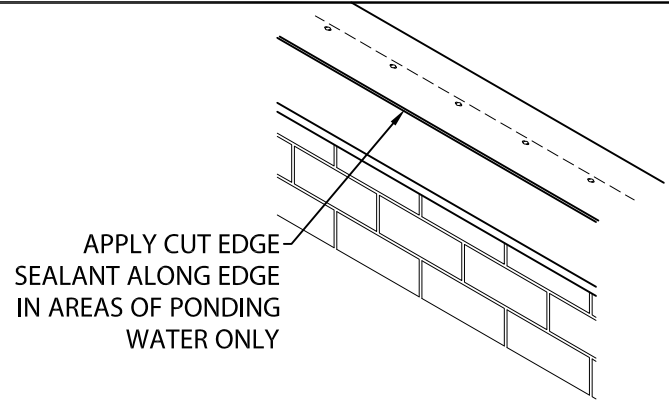
INSTALLATION INSTRUCTIONS



HEAT WELD MEMBRANE
 1½" ALONG BOTH EDGES
 DO NOT WRAP AROUND
 BOTTOM OF DRIP

7. JOINT MEMBRANE

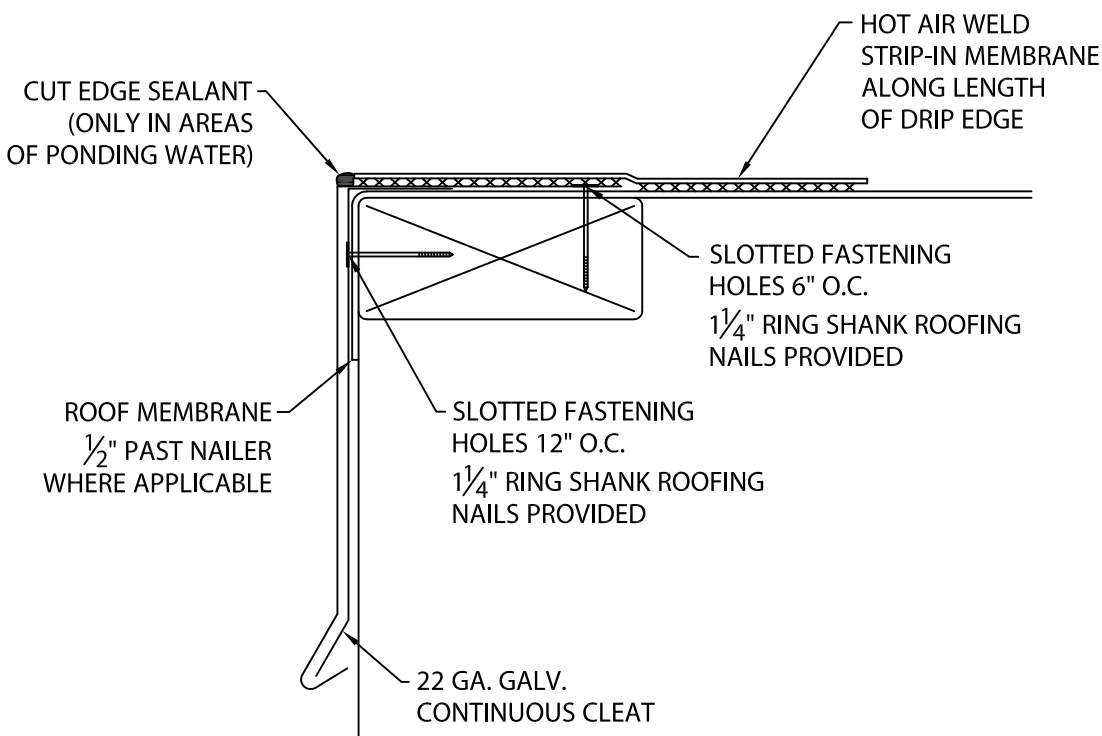
HEAT WELD A 6" WIDE PIECE OF NON-REINFORCED
 MEMBRANE OVER JOINT AS SHOWN ABOVE.



8. SEALANT

APPLY CUT EDGE SEALANT ONLY TO EDGES WHERE
 PONDING OCCURS.

TYPICAL INSTALLATION



CUT EDGE SEALANT
 (ONLY IN AREAS
 OF PONDING WATER)

HOT AIR WELD
 STRIP-IN MEMBRANE
 ALONG LENGTH
 OF DRIP EDGE

SLOTTED FASTENING
 HOLES 6" O.C.
 1¼" RING SHANK ROOFING
 NAILS PROVIDED

ROOF MEMBRANE
 ½" PAST NAILER
 WHERE APPLICABLE

SLOTTED FASTENING
 HOLES 12" O.C.
 1¼" RING SHANK ROOFING
 NAILS PROVIDED

22 GA. GALV.
 CONTINUOUS CLEAT